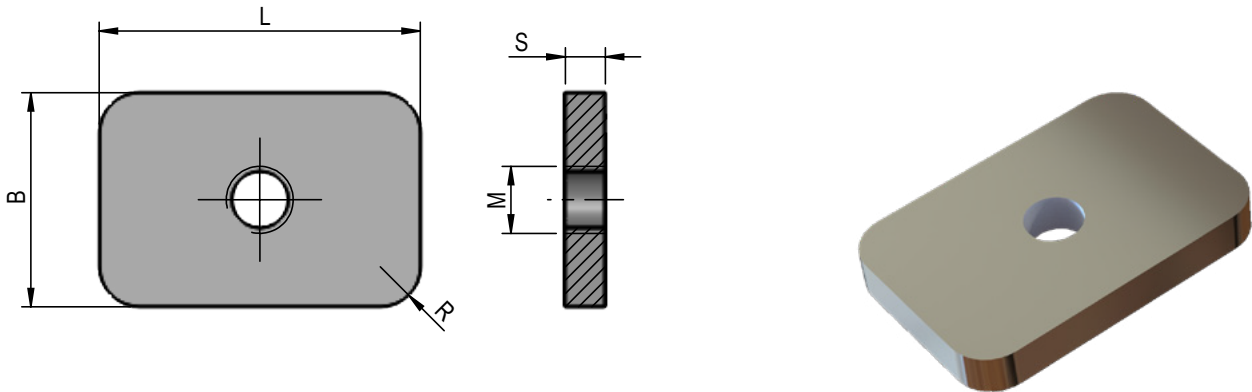


Mat.: 1.2842 / 53 ± 1 HRC



REF	B	L	S	R	M
K08116163-00	16	16	3,0	4	M4
K08116163-10	16	16	3,1	4	M4
K08116163-20	16	16	3,2	4	M4
K08120203-00	20	20	3,0	5	M6
K08120203-10	20	20	3,1	5	M6
K08120203-20	20	20	3,2	5	M6
K08125253-00	25	25	3,0	6	M8
K08125253-10	25	25	3,1	6	M8
K08125253-20	25	25	3,2	6	M8
K08132323-00	32	32	3,0	7	M10
K08132323-10	32	32	3,1	7	M10
K08132323-20	32	32	3,2	7	M10
K08140403-05	40	40	3,05	7	M12
K08140403-10	40	40	3,1	7	M12
K08140403-20	40	40	3,2	7	M12